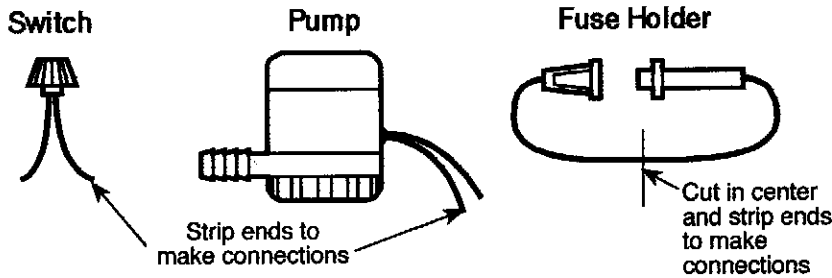


## Bait & Tackle Station Pump Wiring Diagram



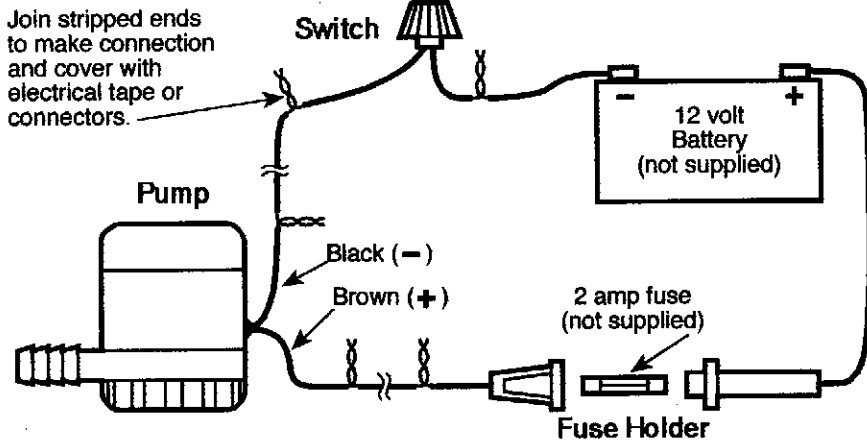
Parts list: Switch, Pump and Fuse Holder

Additional parts needed: 2 amp Fuse, 22 gauge wire, electrical tape or wire connectors and 12 volt battery

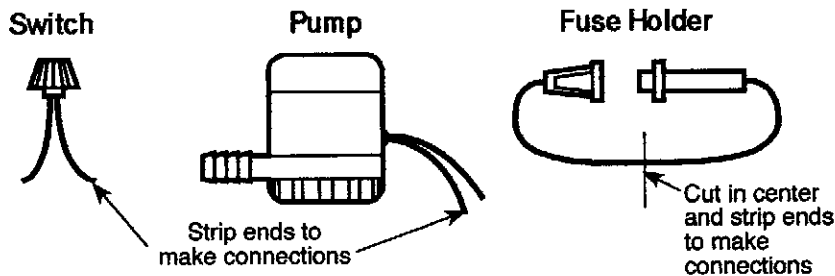
Instructions: Attach a piece of wire to the Switch that is long enough to reach the bottom of the live well when the Switch is installed. Attach another piece of wire to the switch that is long enough to reach the battery. Attach another piece of wire, that is long enough to reach the battery, to the pump's BROWN lead.

Install the Switch into the top of the livewell. Connect the wire from the Switch to the BLACK wire from the Pump and the other Switch wire to the NEGATIVE pole of the battery.

Install a 2 amp fuse into the Fuse Holder and connect one of the holder leads to the POSITIVE pole of the battery. Attach the other end to the BROWN lead from the pump.



## Bait & Tackle Station Pump Wiring Diagram



Parts list: Switch, Pump and Fuse Holder

Additional parts needed: 2 amp Fuse, 22 gauge wire, electrical tape or wire connectors and 12 volt battery

Instructions: Attach a piece of wire to the Switch that is long enough to reach the bottom of the live well when the Switch is installed. Attach another piece of wire to the switch that is long enough to reach the battery. Attach another piece of wire, that is long enough to reach the battery, to the pump's BROWN lead.

Install the Switch into the top of the livewell. Connect the wire from the Switch to the BLACK wire from the Pump and the other Switch wire to the NEGATIVE pole of the battery.

Install a 2 amp fuse into the Fuse Holder and connect one of the holder leads to the POSITIVE pole of the battery. Attach the other end to the BROWN lead from the pump.

