

## Bait and Tackle Station Assembly Instructions

### Parts List:

Bait and Tackle Station  
 Rule 360 GPH pump with 6' wire leads  
 Spray Bar assembly  
 2' of flexible hose  
 2 plastic rivets  
 Rotary on/off switch  
 Rubber drain plug  
 2 splice connectors  
 2 alligator clips  
 Tackle box

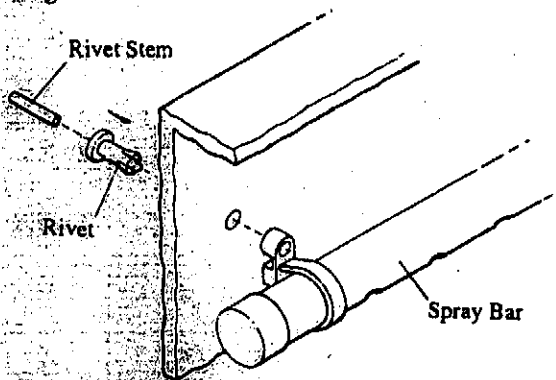
**Note:** Battery not supplied, use GNB 12A-A battery or equivalent

### Assembly instructions:

**1. Switch Installation:** Remove nut from the on/off switch. Insert the switch's wire leads down through the hole in the top of the Bait & Tackle Station. Push switch down until it is flush with the top of the Station. Insert the wires through the nut and reattach the nut. Tighten nut "finger tight" and then insert wires through the hole in the back of the Station.

**2. Spray Bar installation:** Connect the Spray Bar, flexible hose and pump. Place this assembly inside the Station and align the Spray Bar mounting bracket holes with the holes in the back of the Station. Remove the stems from the rivet bodies and save for later use. Insert the plastic rivets through the holes in the Station and mounting bracket. Insert the stems into the holes in the rivet bodies. (See Drawing 1) Twist Spray Bar so that spray holes point toward water surface.

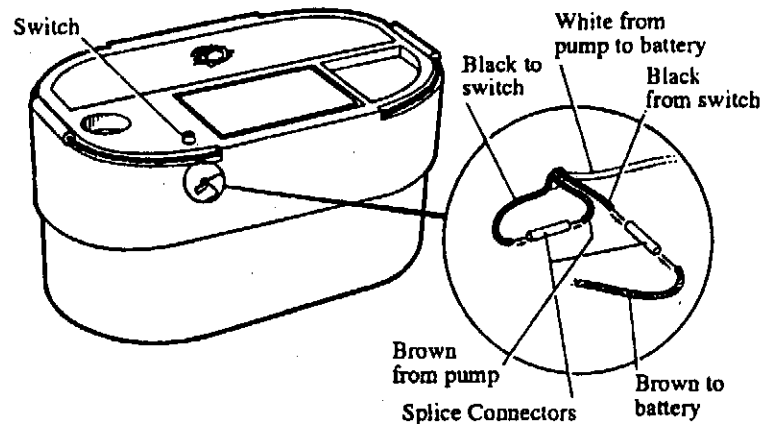
### Drawing 1



**3. Pump wiring instructions:** Position the pump on the bottom of the Station, water intake side down. Adjust the hose to prevent kinks. Take the 2 wires from the pump and insert them through the back of the Station. Pull the wires snug and cut

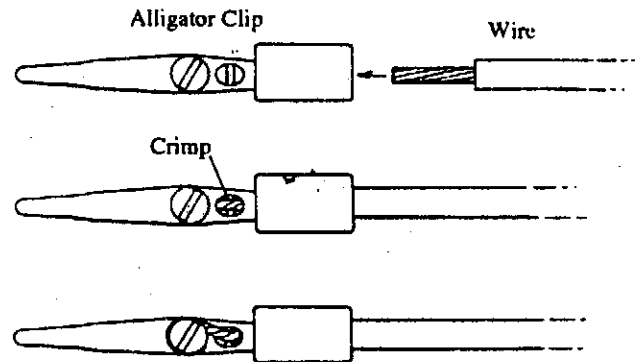
and strip the BROWN (positive) wire so that it matches the leads coming from the switch. Connect the switch leads to the BROWN wires by inserting them into the splice connectors as shown in Drawing 2 and crimp the connectors to secure the wires.

### Drawing 2



Attach the Alligator clips by inserting the wires into the ends of the clips and secure them by either crimping the metal loop against the wire or by running the wire up through the hole in the clip and fastening with the screw. (See Drawing 3)

### Drawing 3



**4. Drain plug insertion:** Insert the drain plug into the drain hole by hand with a twisting motion. Using pliers to pull from the inside will help seat the plug properly.

**Note:** A fast and easy way to drain the Bait & Tackle Station is to disconnect the flexible tubing from the Spray Bar and hold it outside the Station. The pump will drain the Station in a few minutes.

## Shingle Creek Outfitters

530 Wellington Ave. Cranston, RI 02910  
 401-467-2750